



BOWERS

brothers concrete ltd

**BUNKERWALLS
BARRIERBLOCKS**



BOWERS

brothers concrete



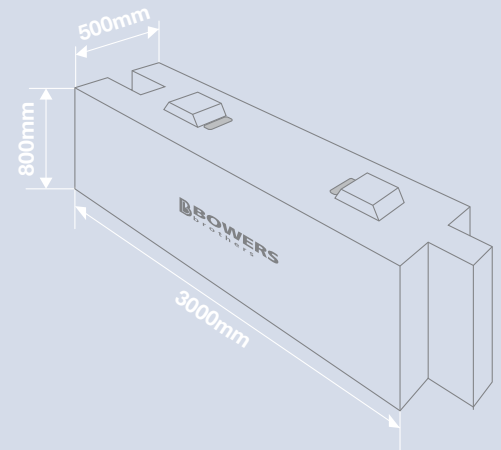
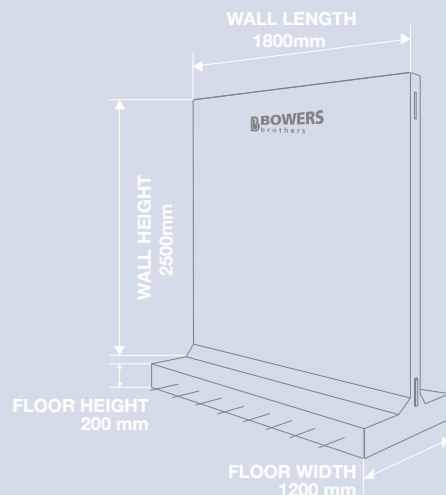
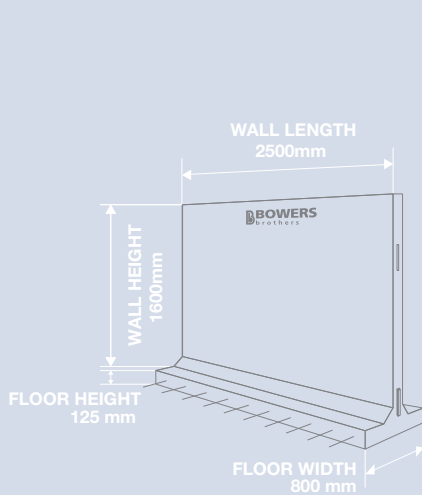


BOWERS

brothers concrete ltd

About Us

Bowers Brothers Concrete are a family owned concrete manufacturing company that has been in the business for over 80 years. In that time we have established branches throughout the Waikato including Morrinsville, Hamilton, Matamata, Paeroa (known as Paeroa Concrete) and Putaruru. We manufacture and deliver redi-mixed concrete from each of our five branches while our Morrinsville plant also manufactures Precast Concrete Products, Water Troughs, Sludge Tanks, Stone Traps, Septic Tanks and Bunker Walls.



BOWERS BROTHERS BUNKER WALLS & BARRIER BLOCKS

Precast walls are a fast and economical means of designing and building storage bins in 2.5 metre segments that will last the test of time.

The 1.6m high precast wall is an ideal height for a removable roof over fertilizer and palm kernel bins.

Quick to install and cost efficient, you can have your bunker operational in no time at all.

	1.6 M High Wall	2.5 M High Wall	Barrier Block
Weight	1.6 ton	3.0 ton	3.0 ton
Height	1600 mm	2500 mm	800 mm
Length	2500 mm	1800 mm	500 mm
Floor height	125 mm	200 mm	
Floor Width	800 mm	1200 mm	

HEAD OFFICE Morrinsville 51 Lorne Street Ph (07) 889 6774 Fax (07) 889 3177

Hamilton Foreman Road Ph (07) 846 0555

Paeroa Grey Street Ph (07) 862 7377

Email sales@bowersbrothers.co.nz

Matamata Garland Street Ph (07) 888 8008

Putaruru Market Place Ph (07) 8838121

Web www.bowersbrothers.co.nz