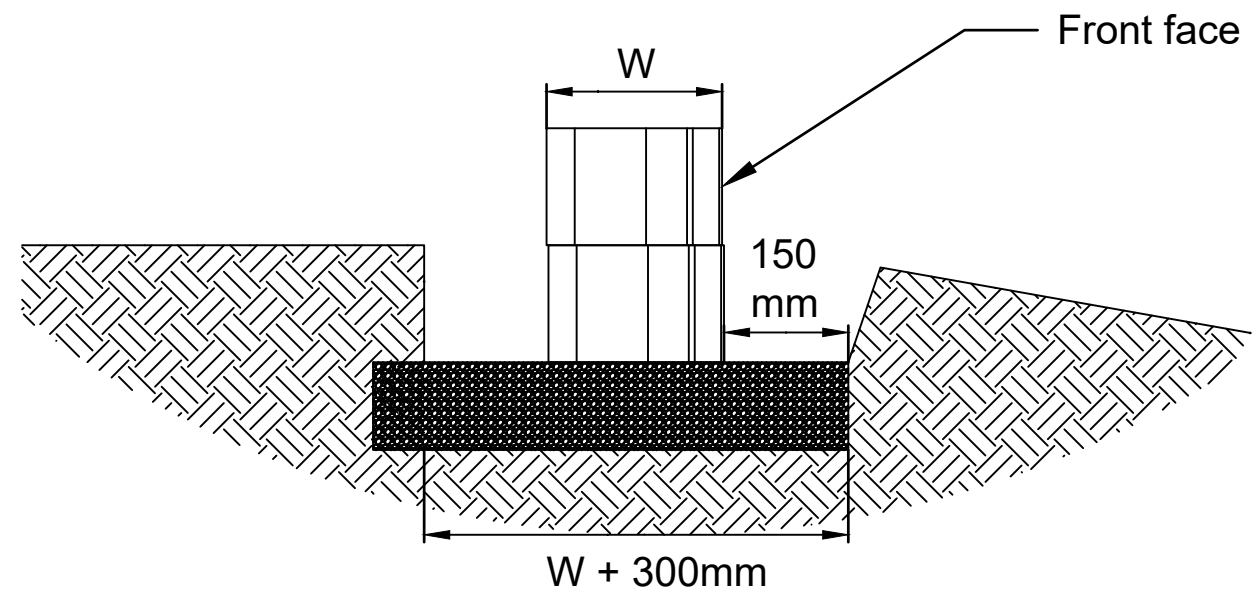
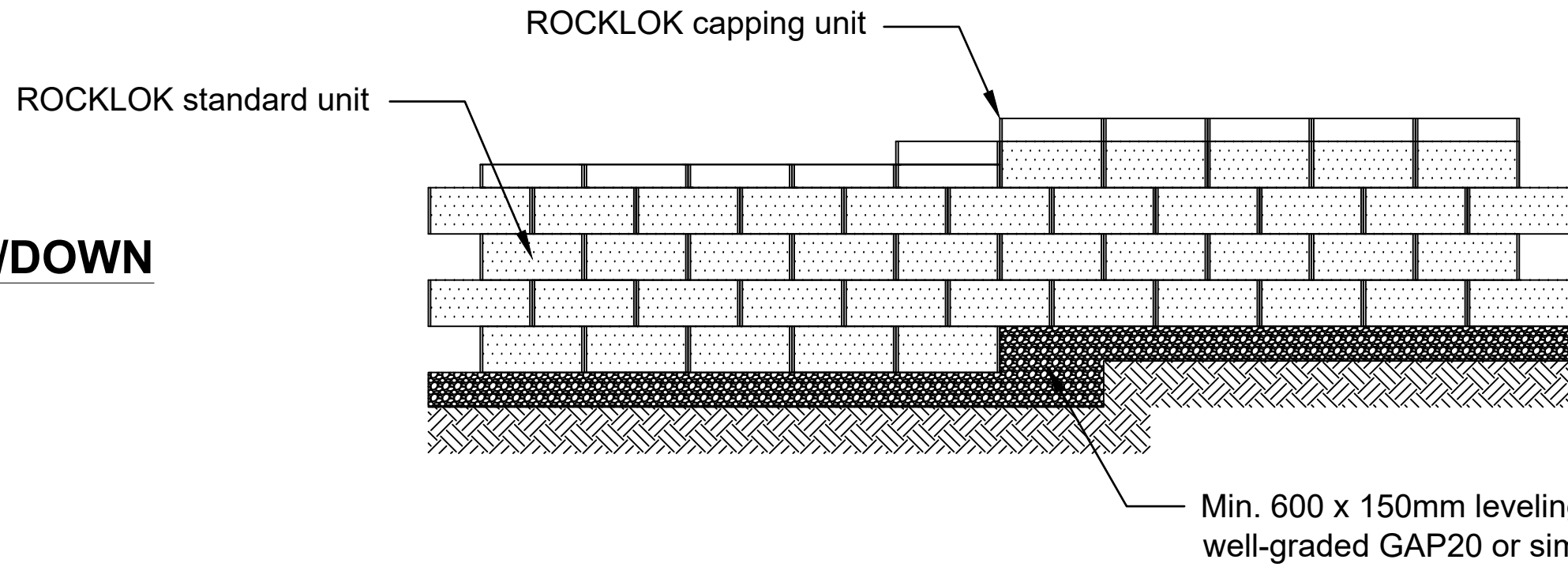


**STEPS-UP/DOWN**



**MINIMUM LEVELING PAD**

**BOWERS**  
brothers concrete ltd

The purpose of this drawing is for preliminary design only. This drawing should not be used for final design or construction without the certification of a professional registered engineer. © 2020 BOWERS

<b>TITLE:</b> Rocklok Leveling Pad & Steps			<b>A3</b>
<b>PROJECT No:</b> N/A	<b>DRAWING No:</b> Retaining 12	<b>DATE:</b> August 2020	<b>REV:</b> Rev.A
<b>DESIGNED BY:</b> BOWERS BROTHERS CONCRETE LTD			<b>SCALE:</b> Not to Scale