



# TROUGH RANGE

---

WATER & FEED TROUGH SOLUTIONS







# WATER TROUGHS RANGE

Bowers Brothers concrete have manufactured premier precast concrete water troughs for over 80 years. We offer a wide range in shapes and sizes of superiority high strength concrete components to supply the farmers throughout the Waikato.

## RECTANGLE WATER TROUGHS

CAPACITY	SIZE
1300 ltr	1.0 inside width x 2.8 length x 560mm high x 480mm deep

## SHEEP TROUGHS

CAPACITY	SIZE
360 ltr	1.2 diam x 416mm high
770 ltr	1.8 diam x 416mm high

## WATER TROUGHS

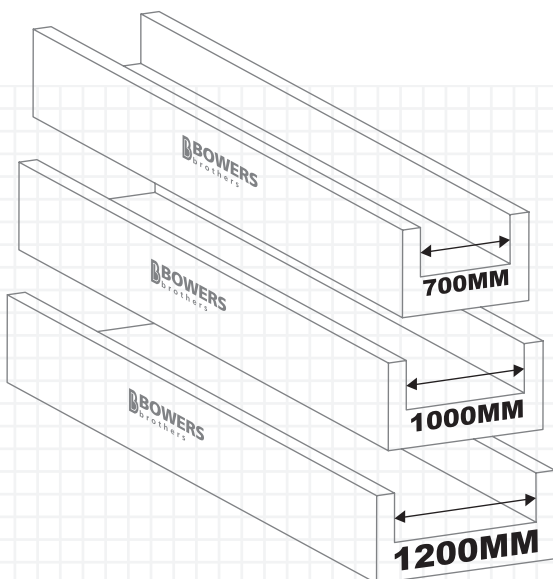
CAPACITY	SIZE	INFORMATION
110 gal – 500 ltr	1.125 dia x 640mm H	up to 200 gal = 20mm socket 250 gal to 500 gal = 25mm sockets
150 gal – 682 ltr	1.415 dia x 640mm H	
200 gal – 910 ltr	1.500 dia x 640mm H	
250 gal – 1140 ltr	1.790 dia x 640mm H	
330 gal – 1500 ltr	1.860 dia x 640mm H	
330 gal – 1500 ltr	with ballcock protector	
500 gal – 2273 ltr	2.410 dia x 640mm H	





# FEED TROUGHS RANGE

Stand off pads increase production, improve animal welfare, reduce feed wastage and save paddocks in wet conditions. Our premier precast feed troughs have an innovative false floor which raises the floor to provide easier feeding for stock. They are cast in high strength concrete for a longer and more durable life. We offer delivery and placing throughout the North Island.



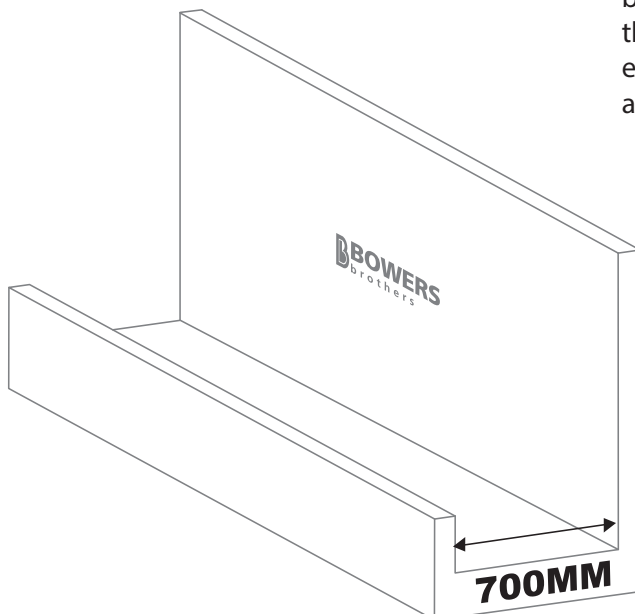
## FEED TROUGHS

	700mm	1m	1.2m
Length	3000mm	3000mm	3000mm
Overall Width	900mm	1200mm	1450mm
Overall Height	650mm	650mm	650mm
Floor Height	280mm	280mm	280mm
Internal Depth	370mm	370mm	370mm
Weight	1.2 tonne	1.4 tonne	1.6 tonne





## HIGH BACK FEED TROUGH



There are many cost-saving benefits with Bowers Brothers open ended troughs. We also produce our unique high back feed troughs. They have one high side that can be positioned at the boundary of a feed pad or raceway to alleviate the need for costly fencing. Feeding out becomes easier with one continual stream of feed which also reduces feed wastage.

### HIGH BACK FEED TROUGH

	<b>700mm</b>
Length	3000mm
Overall Width	900mm
Overall Height (back wall)	1200mm
Floor Height	280mm
Internal Depth	370mm
Weight	1.4 tonne







---

PROUDLY NZ MADE

---

 **BOWERS  
MASONRY**

---

 **BOWERS  
REDI-MIX**

---

 **BOWERS  
PRECAST**

---

[WWW.BOWERSBROTHERS.CO.NZ](http://WWW.BOWERSBROTHERS.CO.NZ)

