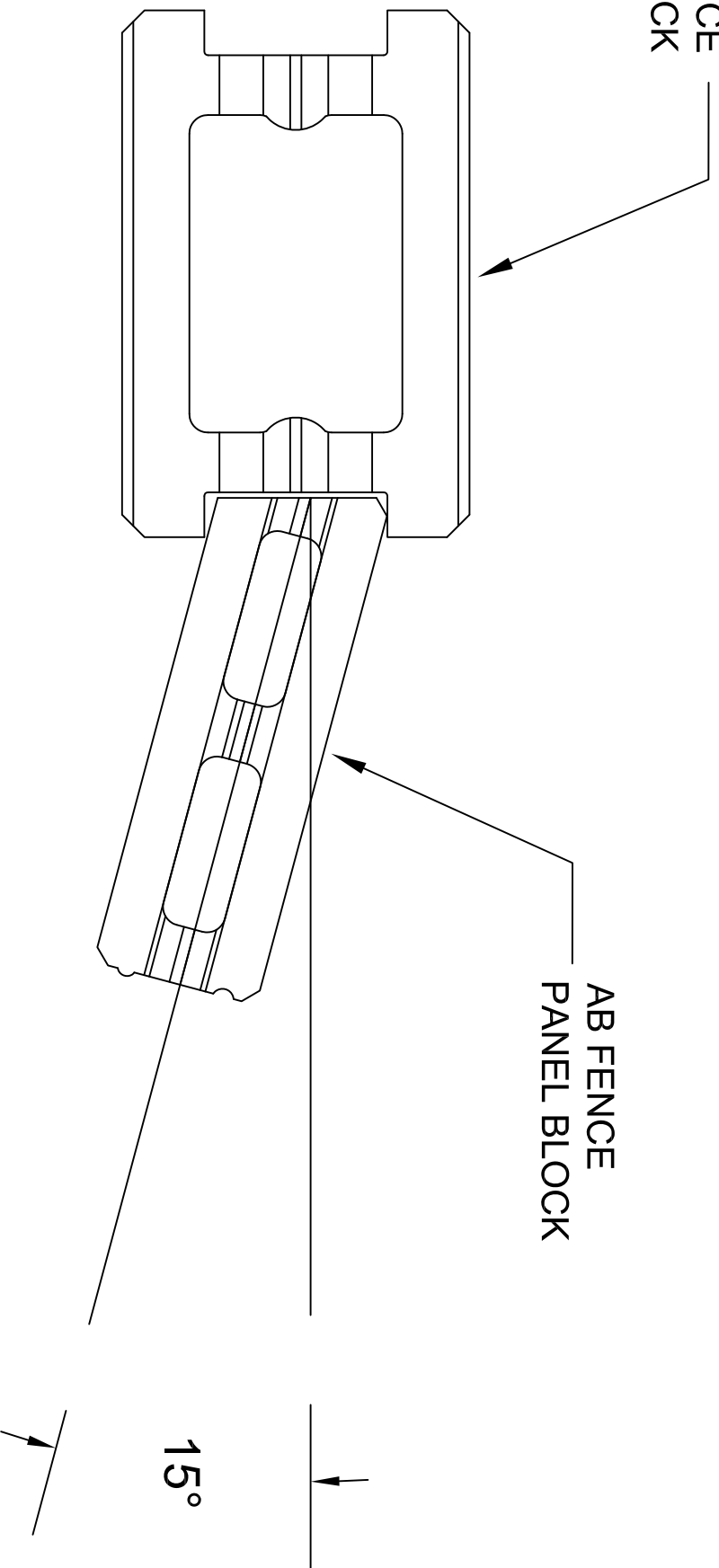


AB FENCE
POST BLOCK

AB FENCE
PANEL BLOCK



Designed By:

Title:

MODIFIED CURVE CONNECTION

Date:

Checked By:

Project No:

Scale:
NOT TO SCALE



The purpose of this drawing is for preliminary design only. This drawing should not be used for final design or construction without the certification of a professional engineer registered in the state in which the fence will be built. The accuracy and use of details contained in this document are the sole responsibility of the user. The user must verify each detail for accuracy as they pertain to their particular project.
© 2005 Allan Block

Drawing No: