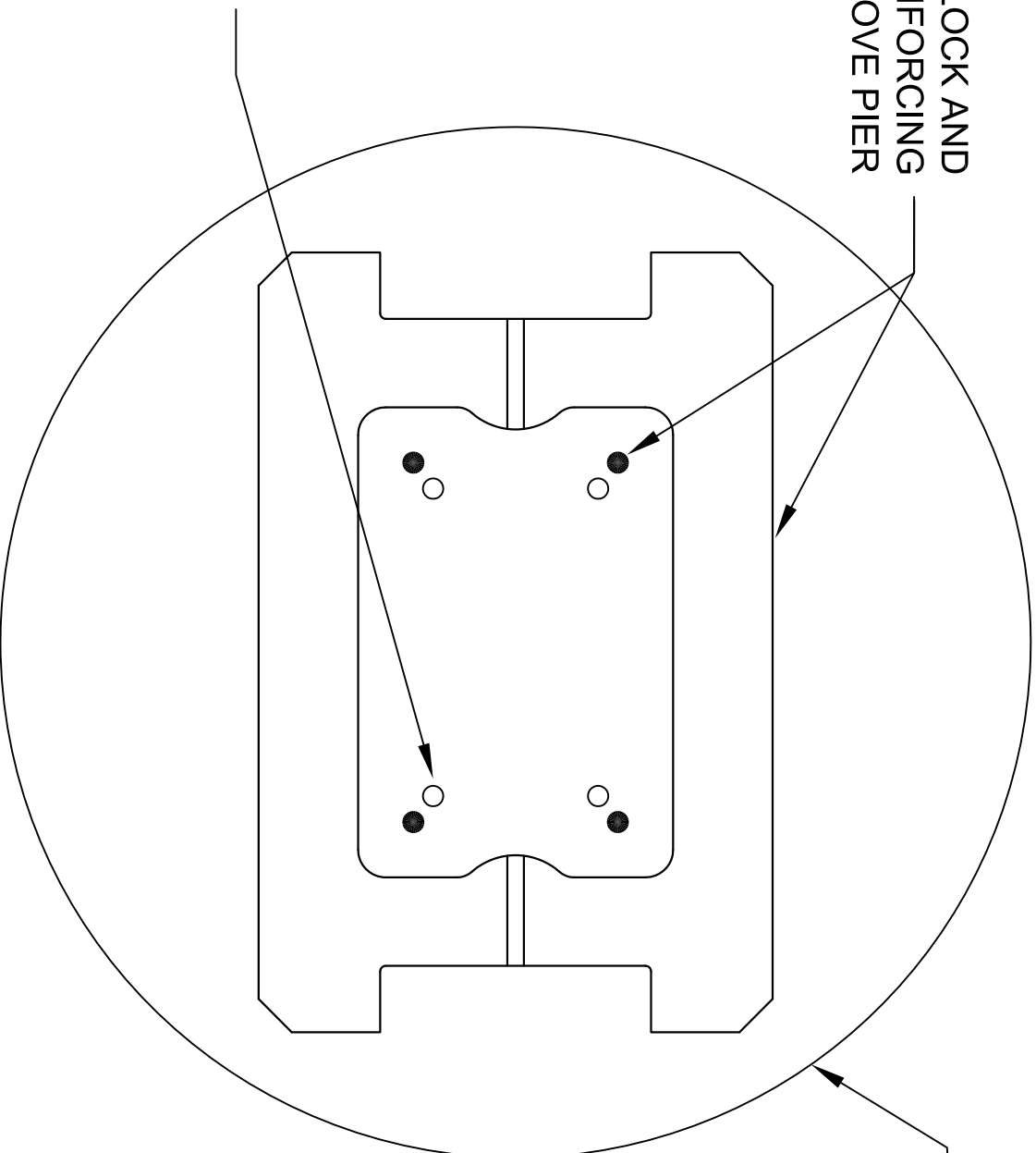


POST BLOCK AND  
VERTICAL REINFORCING  
ABOVE PIER

CONCRETE PIER

PIER VERTICAL  
REINFORCING



Designed By:

Title:

PIER REINFORCEMENT PLACING

Date:

Checked By:

Project No:

Scale:  
NOT TO SCALE

Drawing No:



The purpose of this drawing is for preliminary design only. This drawing should not be used for final design or construction without the certification of a professional engineer registered in the state in which the fence will be built. The accuracy and use of details contained in this document are the sole responsibility of the user. The user must verify each detail for accuracy as they pertain to their particular project.  
© 2005 Allain Block