



# BUNKER WALLS BARRIER BLOCKS

**COST & EFFECTIVE  
ON-FARM SOLUTIONS**



# WE'RE MORE THAN JUST A CONCRETE COMPANY..

Bowers Brothers Concrete are a family owned concrete manufacturing company that has been in the business for over 90 years. In that time we have established branches throughout the Waikato including Morrinsville, Hamilton, Matamata, Putaruru and Paeroa (known as Paeroa Concrete) with a distribution yard in Auckland.

Our Morrinsville Precast plant manufactures a variety of precast concrete products i.e. water troughs, sludge tanks, stone traps, septic tanks and bunker walls.

From January 2022 the Bowers Morrinsville Masonry Plant has been converted to run on solar power. Bowers have a solid commitment to reducing our carbon footprint, having future plans for using more renewable energy within our business model.

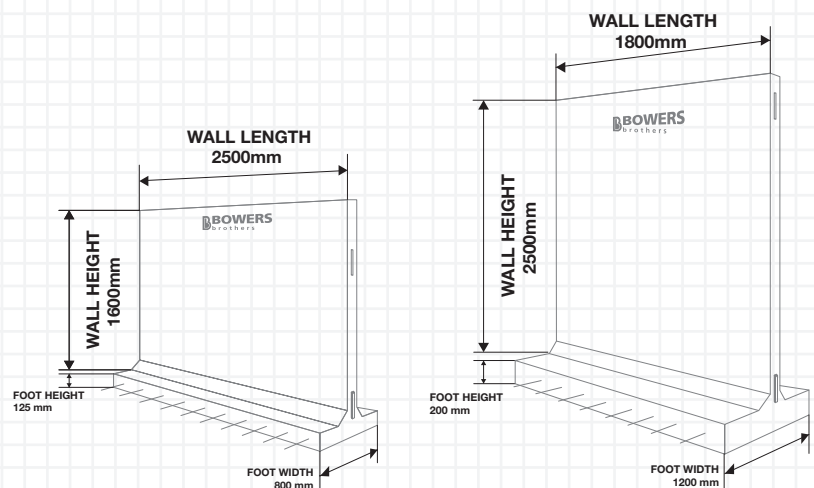


## T PANEL BUNKER WALLS RANGE

Precast T Bunker Walls are the ideal solution for on-farm feed storage applications in 2.5metre segments that will last the test of time. The 1.6metre high precast wall is an ideal height for a removable roof over fertiliser and palm kernel bins. Our experienced team can design and build feed storage bunkers to suit your farming requirements.

### T BUNKER WALLS

|             | 1.6 m HIGH WALL | 2.5 m HIGH WALL |
|-------------|-----------------|-----------------|
| Weight      | 1.6 tonne       | 3.0 tonne       |
| Height      | 1600mm          | 2500mm          |
| Length      | 2500mm          | 1800mm          |
| Foot Height | 125mm           | 200mm           |
| Foot Width  | 800mm           | 1200mm          |



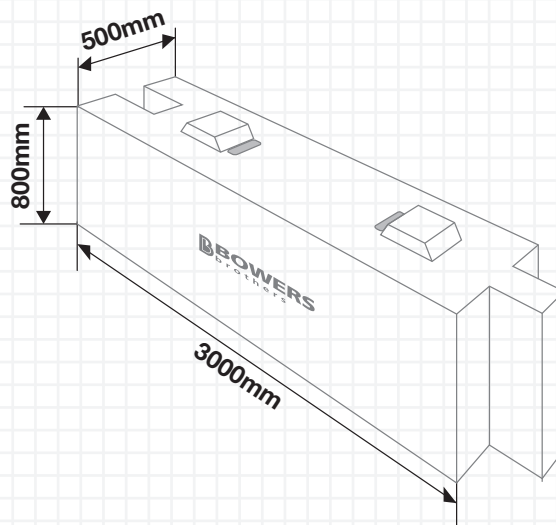


# BARRIER BLOCKS

Precast walls are a fast and economical means of designing and building storage bins in segments that will last the test of time. Quick to install and cost efficient, you can have your bunker operational in no time at all.

## BARRIER BLOCKS

|             | 3m BARRIER BLOCK |
|-------------|------------------|
| Weight      | 3.0 tonne        |
| Height      | 800mm            |
| Length      | 3000mm           |
| Foot Height |                  |
| Foot Width  | 500mm            |



---

PROUDLY NZ MADE

---

 **BOWERS  
MASONRY**

---

 **BOWERS  
REDI-MIX**

---

 **BOWERS  
PRECAST**

---

[WWW.BOWERSBROTHERS.CO.NZ](http://WWW.BOWERSBROTHERS.CO.NZ)



 **BOWERS  
Brothers**

