



# TROUGH RANGE

WATER & FEED TROUGH  
SOLUTIONS





# WATER TROUGHS RANGE

Bowers Brothers concrete have manufactured premier precast concrete water troughs for over 80 years. We offer a wide range in shapes and sizes of superiority high strength concrete components to supply the farmers throughout the Waikato.

## SHEEP TROUGHS

CAPACITY	WIDTH	HEIGHT	WEIGHT (Approx)
80 gal – 364 ltr	1.220m	416mm	350kgs
170 gal BCC – 772 ltr	1.770m	416mm	705kgs

## PIG TROUGHS

DESCRIPTION	CAPACITY
26" long	15Lt
3' long	30 Lt
6' long	66 Lt

## CATTLE TROUGHS

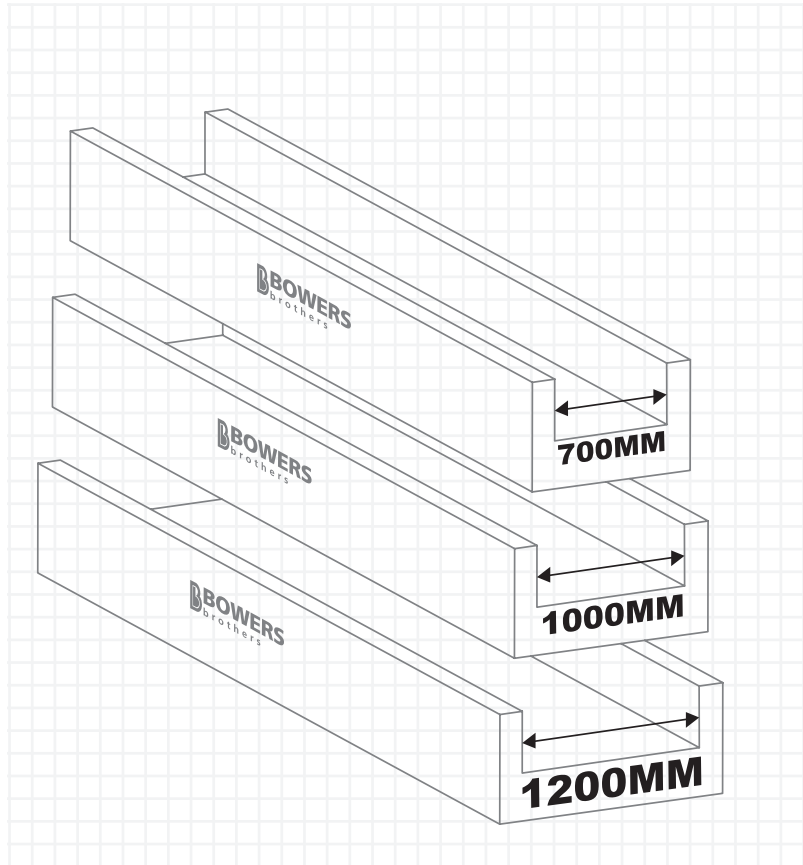
Up to 200 gal = 20mm socket & 250 gal to 500 gal = 25mm sockets			
CAPACITY	WIDTH	HEIGHT	WEIGHT (Approx)
110 gal – 500 ltr	1.125m	640mm	
150 gal – 682 ltr	1.415m	640mm	300kgs
200 gal – 910 ltr	1.500m	680mm	650kgs
250 gal – 1140 ltr	1.790m	640mm	750kgs
250 gal BCC – 1140 ltr	1.790m	640mm	1.3t
330 gal – 1500 ltr	1.860m	680mm	1.01t
330 gal BCC – 1500 ltr	1.860m	680mm	1.58t
500 gal – 2273 ltr	2.410m	620mm	1.65t

# FEED TROUGHS RANGE

Stand off pads increase production, improve animal welfare, reduce feed wastage and save paddocks in wet conditions. Our premier precast feed troughs have an innovative false floor which raises the floor to provide easier feeding for stock. They are cast in high strength concrete for a longer and more durable life. We offer delivery and placing throughout the North Island.

## FEED TROUGHS

	700mm	1m	1.2m
Length	3000mm	3000mm	3000mm
Overall Width	900mm	1200mm	1450mm
Overall Height	650mm	650mm	650mm
Floor Height	280mm	280mm	280mm
Internal Depth	370mm	370mm	370mm
Weight	1.2 tonne	1.4 tonne	1.6 tonne

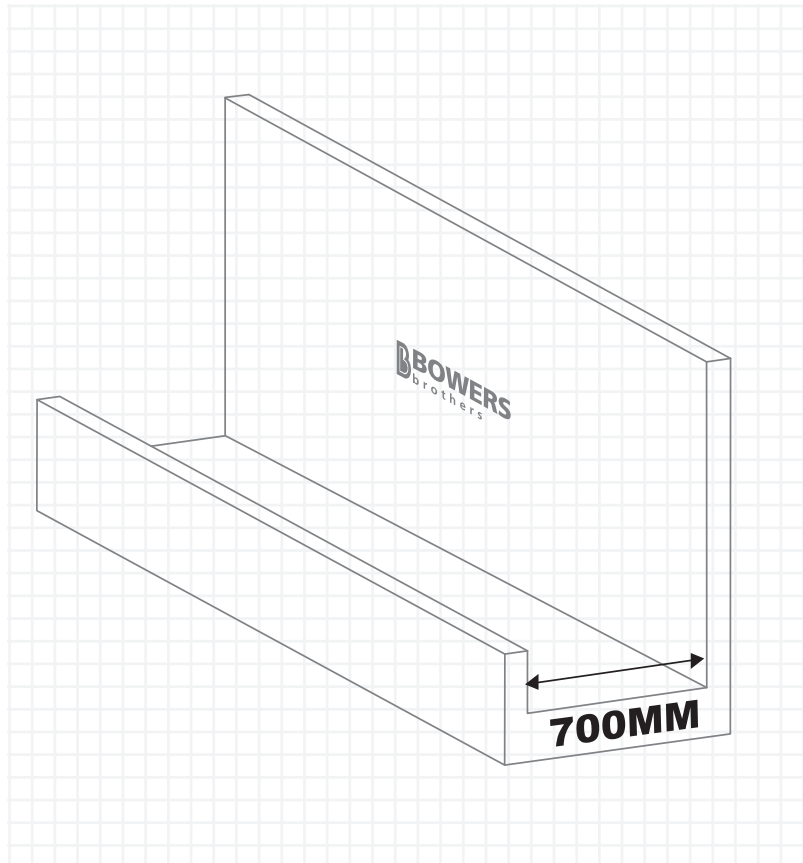


# HIGH BACK FEED TROUGH

There are many cost-saving benefits with Bowers Brothers open ended troughs. We also produce our unique high back feed troughs. They have one high side that can be positioned at the boundary of a feed pad or raceway to alleviate the need for costly fencing. Feeding out becomes easier with one continual stream of feed which also reduces feed wastage.

## HIGH BACK FEED TROUGH

	700mm
Length	3000mm
Overall Width	900mm
Overall Height (back wall)	1200mm
Floor Height	280mm
Internal Depth	370mm
Weight	1.4 tonne



---

PROUDLY NZ MADE

---

 **BOWERS  
MASONRY**

---

 **BOWERS  
REDI-MIX**

---

 **BOWERS  
PRECAST**

---

[WWW.BOWERSBROTHERS.CO.NZ](http://WWW.BOWERSBROTHERS.CO.NZ)

